



PeerlessBoilers.com

Peerless® Series 61/62™

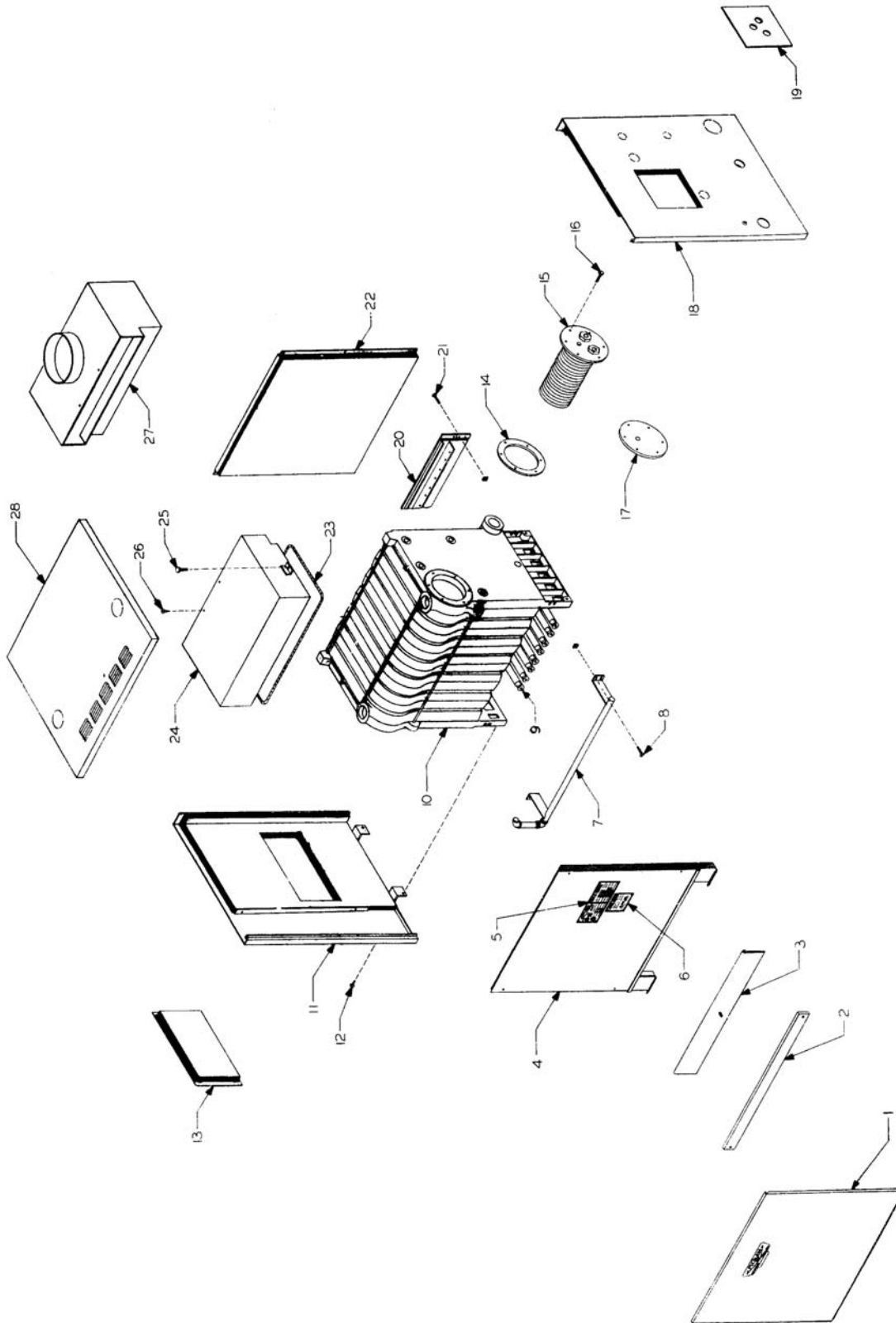
All repair parts orders - no minimum charges.

Please order with code number.

All prices quoted are in U.S. dollars.

All prices subject to change without notice.

All prices F.O.B. Bally, PA





PeerlessBoilers.com

Peerless® Series 61/62™

All repair parts orders - no minimum charges.

Please order with code number.

All prices quoted are in U.S. dollars.

All prices subject to change without notice.

All prices F.O.B. Bally, PA

| | Description | Quantity Required | Stock Code |
|-----|--|-------------------|---------------|
| - | Jacket Assembly | | NOT AVAILABLE |
| 1 | Front Door Panel | | NOT AVAILABLE |
| 2 | Front Jacket, Support | | NOT AVAILABLE |
| 3 | Cover Door | | NOT AVAILABLE |
| 4 | Inner Front Panel | | NOT AVAILABLE |
| 5 | Rating Plate | | NOT AVAILABLE |
| 6 | ASME Plate | | NOT AVAILABLE |
| 7 | 3/4" Gas Manifold | | NOT AVAILABLE |
| | 1" Gas Manifold | | NOT AVAILABLE |
| | 1-1/4" Gas Manifold for 62-15 | | NOT AVAILABLE |
| 8 | 1/4"-20 X1" Studs & Hardware (Local Hdw Supply) | 4 | - |
| 9 | Steel Burner w/ Pilot Bracket (STDG Q314 - Red) | 1 | 51501 |
| | Steel Burner w/ Pilot Bracket (Spark Q327, Q348 - Blue) | 1 | 51502 |
| | Steel Burner (2 Tubes per Flue) | - | 51534 |
| | Intermediate Section - 50 lb. Working Pressure | | NOT AVAILABLE |
| | Left Hand End Section - 50 lb. Working Pressure | - | 90084 |
| | Right Hand End Section (open) | | NOT AVAILABLE |
| | Right Hand End Section (closed) | | NOT AVAILABLE |
| | Tapped Intermediate Section - 50 lb. Working Pressure | | NOT AVAILABLE |
| | Complete Block Assembly - 61-03 Standard (open) | 1 | 90935 |
| | Complete Block Assembly - 61-04 Standard (open) | | NOT AVAILABLE |
| | Complete Block Assembly - 61-05 Standard (open) | 1 | 90937 |
| | Complete Block Assembly - 61-06 Standard (open) | | NOT AVAILABLE |
| | Complete Block Assembly - 61-07 Standard (open) | | NOT AVAILABLE |
| | Complete Block Assembly - 61-03 Standard (closed) | 1 | 90200 |
| | Complete Block Assembly - 61-04 Standard (closed) | | NOT AVAILABLE |
| 10 | Complete Block Assembly - 61-05 Standard (closed) | | NOT AVAILABLE |
| | Complete Block Assembly - 61-06 Standard (closed) | 1 | 90203 |
| | Complete Block Assembly - 61-07 Standard (closed) | | NOT AVAILABLE |
| | Left Hand Block Assembly - 61-08 thru 62-09 - 4 Section | | NOT AVAILABLE |
| | Left Hand Block Assembly - 62-10 - 5 Sections | 1 | 90209 |
| | Left Hand Block Assembly - 62-11 - 6 Sections | 1 | 90210 |
| | Left Hand Block Assembly - 62-12, 62-13 - 7 Section | | NOT AVAILABLE |
| | Left Hand Block Assembly - 62-14, 62-15 - 8 Section | | NOT AVAILABLE |
| | Right Hand Block Assembly - 61-08 - 4 Sections | | NOT AVAILABLE |
| | Right Hand Block Assembly - 62-09 thru 62-12 - 5 Section | 1 | 90205 |
| | Right Hand Block Assembly - 62-13, 62-14 - 6 Section | 1 | 90206 |
| | Right Hand Block Assembly - 62-15 - 7 Sections | 1 | 90207 |
| N/S | #64 Large Push Nipple | 1 | 51546 |
| N/S | #12 Small Push Nipple | 1 | 51543 |
| N/S | 5/8" High Temperature Rope - 42" Required Per Joint | 4' | 55723 |
| 11 | Left Side Panel | | NOT AVAILABLE |
| 12 | 1/4"-20 X1" Studs & Hardware (Local Hdw Supply) | 4 | - |
| 13 | Clean Out Cover Plate | 1 | 51170 |
| 14 | Round Cover Plate Gasket | 1 | 51800 |
| 15 | Tan kless Heater Flange w/ Screws - X-1020 | 1 | 90534 |
| 16 | 3/8"-16 X 3/4 Hex Cap (Local Hdw Supply) | 6 | - |
| | Steel Cover Plate w/ Gasket & Cap Screws | 1 | 99812 |
| 17 | Steel Cover Plate w/ Gasket & Screws w/ (2) 3/4" NPT Taps for Limits | 1 | 91477 |

| | Description | Quantity Required | Stock Code |
|-----|---|-------------------|---------------|
| 18 | Right Side Jacket | | NOT AVAILABLE |
| 19 | TI Cover Square | | NOT AVAILABLE |
| | Base Back - 61-03 - P155 | 1 | 90370 |
| | Base Back - 61-04 - P155-1 | 1 | 90371 |
| | Base Back - 61-05 - P155-2 | 1 | 90372 |
| 20 | Base Back - 61-06 - P155-3 | 1 | 90373 |
| | Base Back - 61-07 - P155-4 | 1 | 90374 |
| | Base Back - 61-08 - P155-5 | 1 | 90375 |
| | Base Back - 62-09 - P155-6 | 1 | 90376 |
| | Base Back - 62-10 - P155-7 | 1 | 90377 |
| | Base Back - 62-11 - P156 | 1 | 90378 |
| | Base Back - 62-11 - P156-3 | 1 | 90381 |
| | Base Back - 62-12 - P156 | 1 | 90378 |
| | Base Back - 62-12 - P156-4 | 1 | 90382 |
| 20 | Base Back - 62-13 - P156-1 | 1 | 90379 |
| | Base Back - 62-13 - P156-4 | 1 | 90382 |
| | Base Back - 62-14 - P156-1 | 1 | 90379 |
| | Base Back - 62-14 - P156-5 | 1 | 90383 |
| | Base Back - 62-15 - P156-2 | 1 | 90380 |
| 21 | 5/16"-18 X 1-1/4" Studs & Nuts (Local Hdw Supply) | 4 | - |
| 22 | Rear Jacket Panel | | NOT AVAILABLE |
| 23 | 1/2" High Temperature Rope | 12 | 55723 |
| | Flue Collector - 61-03 w/ 1/2"-42" Fiberglass Rope - P503 | | NOT AVAILABLE |
| | Flue Collector - 61-04 w/ 1/2"-50" Fiberglass Rope - P503-1 | | NOT AVAILABLE |
| | Flue Collector - 61-05 w/ 1/2"-58" Fiberglass Rope - P503-2 | | NOT AVAILABLE |
| | Flue Collector - 61-06 w/ 1/2"-66" Fiberglass Rope - P503-3 | | NOT AVAILABLE |
| | Flue Collector - 61-07 w/ 1/2"-75" Fiberglass Rope - P503-4 | | NOT AVAILABLE |
| | Flue Collector - 61-08 w/ 1/2"-85" Fiberglass Rope - P503-5 | | NOT AVAILABLE |
| 24 | Flue Collector - 62-09 w/ 1/2"-91" Fiberglass Rope - P503-6 | | NOT AVAILABLE |
| | Flue Collector - 62-10 w/ 1/2"-99" Fiberglass Rope - P503-7 | | NOT AVAILABLE |
| | Flue Collector - 62-11 w/ 1/2"-108" Fiberglass Rope - P503-8 | | NOT AVAILABLE |
| | Flue Collector - 62-12 w/ 1/2"-116" Fiberglass Rope - P503-9 | | NOT AVAILABLE |
| | Flue Collector - 62-13 w/ 1/2"-124" Fiberglass Rope - P503-10 | | NOT AVAILABLE |
| | Flue Collector - 62-14 w/ 1/2"-132" Fiberglass Rope - P503-11 | | NOT AVAILABLE |
| | Flue Collector - 62-15 w/ 1/2"-141" Fiberglass Rope - P503-12 | | NOT AVAILABLE |
| 25 | 3/8"-16 x 2-1/4" Bolt with Nuts & Washer (Local Hdw Supply) | 4 | - |
| 26 | Slit Screw #10-24 X 1/4", 316 SS (Local Hdw Supply) | 4 | - |
| 27 | Draft Hood | | NOT AVAILABLE |
| | Draw Rods w/ Nuts & Washers - 61-08 | | NOT AVAILABLE |
| | Draw Rods w/ Nuts & Washers - 62-09 | 1 | 91033 |
| | Draw Rods w/ Nuts & Washers - 62-10 | 1 | 91034 |
| | Draw Rods w/ Nuts & Washers - 62-11 | 1 | 91035 |
| N/S | Draw Rods w/ Nuts & Washers - 62-12 | | NOT AVAILABLE |
| | Draw Rods w/ Nuts & Washers - 62-13 | 1 | 91037 |
| | Draw Rods w/ Nuts & Washers - 62-14 | 1 | 91038 |
| | Draw Rods w/ Nuts & Washers - 62-15 | 1 | 91039 |
| N/S | Draw-Up Clamp Body | 2 | 51146 |
| N/S | Draw-Up Clamp Jaws | 4 | 51148 |
| | Clean Out Cover Plate | 1 | 51170 |
| N/S | 1/4" High Temperature Rope - 44" Required | 4' | 51209 |



PeerlessBoilers.com

Peerless® Series 61/62™

All repair parts orders - no minimum charges.

Please order with code number.

All prices quoted are in U.S. dollars.

All prices subject to change without notice.

All prices F.O.B. Bally, PA

| | Description | Quantity Required | Stock Code | |
|---|--|-------------------|------------|--|
| N/S | Gas Valve – STDG NAT 3-5 – Honeywell VR8200A-21 16 | – | 50581 | |
| N/S | Gas Valve – STDG NAT 6-7 – Honeywell VR8300A-4003 | – | 50587 | |
| N/S | Gas Valve – SPRK NAT 3-5 – Honeywell VR8204A-2001 | – | 50583 | |
| N/S | Gas Valve – SPRK NAT 6-8 – Honeywell VR8304M-4002 | – | 50589 | |
| N/S | Gas Valve – STDG LP 3-5 – Honeywell VR8200A-21 65 | – | 50582 | |
| N/S | Gas Valve – STDG LP 6-7 – Honeywell VR8300A-401 1 | – | 50588 | |
| N/S | Gas Valve – SPRK-1 LP 3-5 – Honeywell VR8204A-2183 | – | 50584 | |
| N/S | Gas Valve – SPRK-1 LP 6-8 – Honeywell VR8304M-4010 | – | 50590 | |
| N/S | Gas Valve (3/4) 9-11 – Honeywell V88A-1 659 | – | 50621 | |
| N/S | Gas Valve (1) 12-15 – Honeywell V88A-1618 | – | 50618 | |
| N/S | Pilot – SPRK NAT 3-15 – Honeywell Q348A-1 002 | – | 50558 | |
| N/S | Pilot – STDG NAT 3-8 – Honeywell Q314A-3679 | – | 50554 | |
| N/S | Pilot – STDG NAT 9-15 – Honeywell Q327A-1 006 | – | 50556 | |
| N/S | Pilot – STDG LP 3-8 – Honeywell Q314A-3703 | – | 50555 | |
| N/S | Pilot – SPRK LP 3-8 – Honeywell Q348A-1 358 | – | 51814 | |
| N/S | Pilot – STDG LP 9-15 – Honeywell Q327A-1 147 | – | 50557 | |
| N/S | Ignition Cable – Honeywell 394800-30 | – | 50640 | |
| N/S | Thermal Cut-Off Switch – Therm-O-Disc G4AM_240C | – | 51588 | |
| N/S | Ignition Control – NAT – Honeywell S861 0F-1 024 | – | 50672 | |
| N/S | Steel Burner – X3005 | – | 51534 | |
| N/S | Thermo Pilot Valve – H1 7CA-1 | – | 50752 | |
| N/S | Pilot Stat – L62GB-2, Pilot Switch | – | 50755 | |
| N/S | Pilot Gas Valve (24 volt) – H91 BG-2 – 24 Volt | – | 50754 | |
| N/S | Pilot Gas Valve (120 volt) – H91 BA-3 – 120 Volt | – | 50753 | |
| N/S | Transformer, 100VA – Y64T22-0 | – | 51716 | |
| N/S | Transformer, 40VA – AHR 40281 MM-1 77 | – | 50791 | |
| N/S | Honeywell Q309A-21 19 (24) 3-6 – Honeywell Q309A-21 19 | – | 50838 | |
| N/S | K1 5DA-36 (36") – K1 5DA-36 | – | 50839 | |
| N/S | K1 6BA-60 (60") – K1 6BA-60 | – | 50840 | |
| Conversion Kit Natural to LP Gas | | | | |
| N/S | STDG – 6103 | – | 90872 | |
| N/S | STDG – 6104-6107 | – | 90873 | |
| N/S | STDG – 6108, 6209-6211 | – | 90875 | |
| N/S | SPRK – 6103 | – | 90886 | |
| N/S | SPRK – 6104-6107 | – | 90887 | |
| N/S | SPRK – 6209-6211 | – | 90961 | |
| Conversion Kit LP to Natural Gas | | | | |
| N/S | STDG – 6103 | – | 90870 | |
| N/S | STDG – 6104-6107 | – | 90871 | |
| N/S | STDG – 6108, 6209-6211 | – | 90874 | |
| N/S | SPRK – 6103 | – | 90884 | |
| N/S | SPRK – 6104-6107 | – | 90885 | |
| Flue Dampers | | | | |
| N/S | 61 03-4 – Effikal-RVGP-5BK | – | 90608 | |
| N/S | 6105 – Effikal-RVGP-6BK | – | 90609 | |
| N/S | 6106 – Effikal-RVGP-7BK | – | 90610 | |
| N/S | 6107-8 – Effikal-RVGP-8BK | – | 90611 | |



Peerless® Series 61/62™

All repair parts orders - no minimum charges.

Please order with code number.

All prices quoted are in U.S. dollars.

All prices subject to change without notice.

All prices F.O.B. Bally, PA

Blank Page



PeerlessBoilers.com

Peerless® Series 61/62™

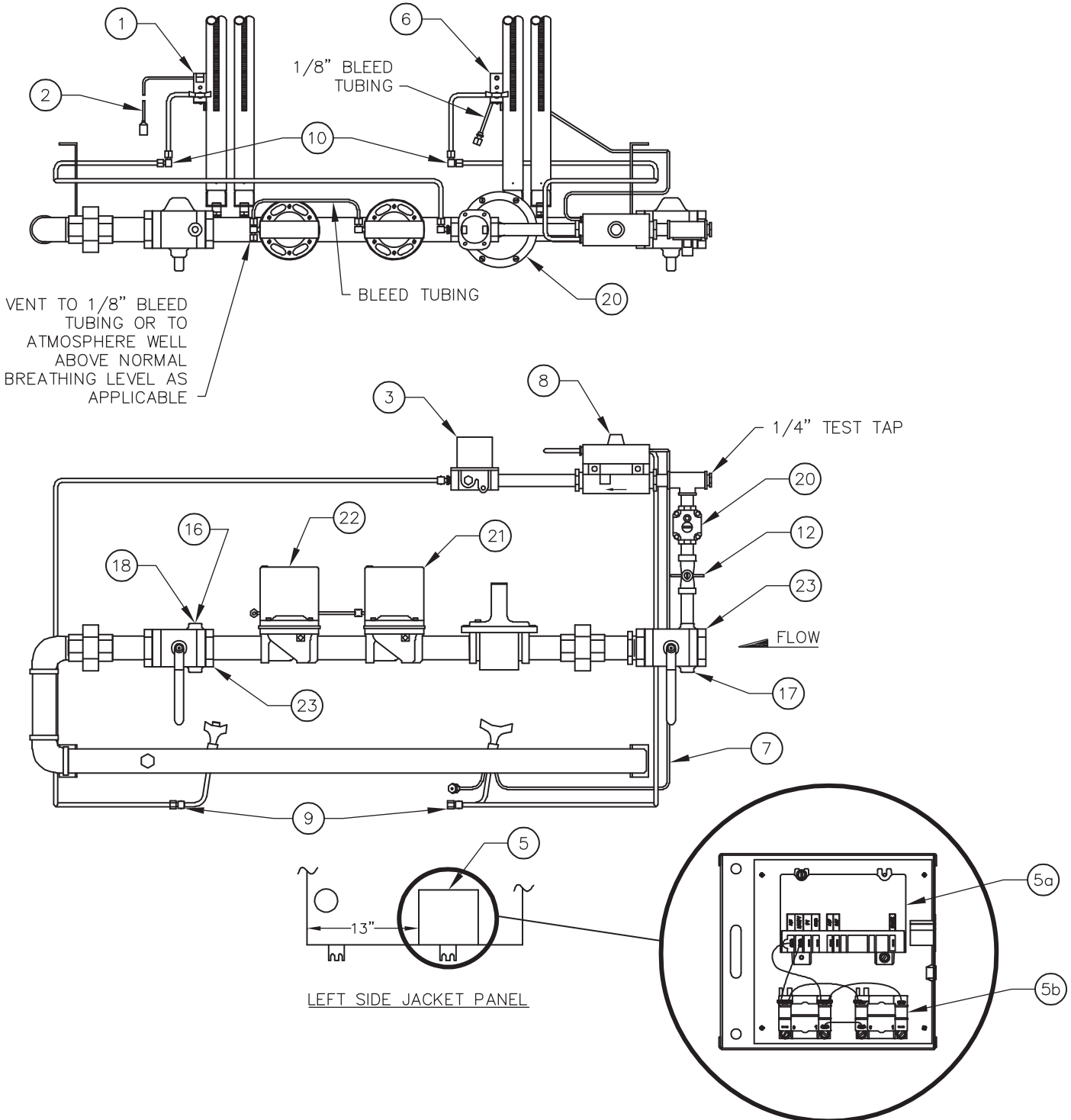
All repair parts orders - no minimum charges.

Please order with code number.

All prices quoted are in U.S. dollars.

All prices subject to change without notice.

All prices F.O.B. Bally, PA





PeerlessBoilers.com

Peerless® Series 61/62™

All repair parts orders - no minimum charges.

Please order with code number.

All prices quoted are in U.S. dollars.

All prices subject to change without notice.

All prices F.O.B. Bally, PA

| | Description | Quantity Required | Stock Code |
|-------------------------------------|---|-------------------|------------|
| Spark HSP Ignition System | | | |
| 1 | Pilot - (HSP) Nat. 0.22 AB Orifice, (HW Q348A) | 1 | 50558 |
| 2 | *Ignition & Sensing Cable w/32" Green Hi-Temp. Gr. Wire | 1 | 50640 |
| 3 | 24V, *1/4" Pilot Gas valve - (HSP), Johnson H91BG-2 | 1 | 50754 |
| 5 | Ignition Control Mtg. Box | 1 | X3009 |
| 5a | Ign Ctrl Hon S8610M3009 | 1 | 50672 |
| 5b | *Switching Relay, (for 120V Gas Valves) | 2 | 50566 |
| 6 | Standing Aux. Pilot , HW Q327A | 1 | 50556 |
| 7 | Standing Aux. Pilot Thermocouple, Johnson K15DA-36 | 1 | 50839 |
| 8 | 3/8" Standing Aux. Pilot Valve, Johnson H17CA-1 | 1 | 50752 |
| 9 | 1/4" Pilot Tubing, alum. | 1 | 718 |
| 10 | 1/4" Union Compression, Brass | 1 | 769 |
| 11 | Transformer - 40VA (obsolete), Not shown | 1 | 50528 |
| | Transformer - 40VA, Not shown | 1 | 50791 |
| | Transformer - 100VA, Not shown | 1 | 51716 |
| N/S | Bleed Clip, Not shown | 1 | 50636 |
| Spark(E/E) Ignition System | | | |
| N/S | RM7890A Sprk, Not shown, (OBSOLETE) | 1 | 50658 |
| 4b | RM7890A (requires a jumper wire / terminals 3 & 20, & 6 & 7), Not shown | 1 | 50665 |
| N/S | Ignition Transformer (E-E system), Not shown | 1 | 51299 |
| 1b | KIT Sprk NAT W/WIRE ASSY | 1 | 90462 |
| 3b | 120V Pilot Valve 1/4" | 1 | 50753 |
| Standing E-M Ignition System | | | |
| 4a | RM7890C Stdg, Not shown, Obs. | 1 | 50659 |
| 1a | KIT Stdg NAT w/ Wire & Thermocouple Assy | 1 | 90463 |
| N/S | Orifice LP for Stdg Pilot ↑ | 1 | 50635 |
| 8 | 3/8" Standing Aux. Pilot Valve Nat & LP | 1 | 50752 |
| 6 | Standing Aux. Pilot | 1 | 50556 |
| 6 | Standing Aux. Pilot , LP STDG .014 AB | 1 | 50557 |
| 7 | 36" Lead Thermocouple | 1 | 50839 |
| Misc gas train | | | |
| 12 | 1/4" Gas Pilot Shut Off valve | 1 | 50559 |
| 13 | Not Used | - | - |
| 14 | Bleed restrictor, (Main valve bleed) , Not shown | 1 | 50631 |
| 15 | 3/8" Pilot Tubing, alum., Not shown | 1 | 719 |
| 16 | 1/8" Leak test cock Kit w/ plug, fittings assembly, Not shown | 1 | 90957 |
| Gas switches | | | |
| 17 | Low Gas Pressure Switch, MR , (When Used) | 1 | 50700 |
| 18 | High Gas Pressure Switch, MR, (When Used) | 1 | 50701 |
| 19 | Vent limit, Not shown | 1 | 50656 |
| Regulators | | | |
| 20 | 1/4" Gas Regulator | 1 | 50643 |
| | 3/4" Gas Regulator | 1 | 50644 |
| | 1" Gas Regulator | 1 | 50645 |
| | 1-1/4" Gas Regulator | 1 | 50647 |
| 24 Volt Diaphragm Valves | | | |
| 21-22 | 3/4" NPT. 24 Volt Diaphragm Valves | 1 | 50621 |
| | 1" NPT. 24 Volt Diaphragm Valves | 1 | 50618 |
| | 1-1/4" NPT. 24 Volt Diaphragm Valves | 1 | 50619 |
| 120 Volt Diaphragm Valves | | | |
| 21-22 | 3/4" NPT. 120 Volt Diaphragm Valves | 1 | 50597 |
| | 1" NPT. 120 Volt Diaphragm Valves | 1 | 50598 |
| | 1-1/4" NPT. 120 Volt Diaphragm Valves | 1 | 50599 |
| 120 Volt Solenoid Valves | | | |
| 21-22 | 3/4" 120 V Solenoid Gas Valve (Obsolete) | 1 | 50739 |
| | 1" NPT. 120 Volt Solenoid Valves | NOT AVAILABLE | |
| | 1-1/4" NPT 120V Solenoid Gas Valve | 1 | 50743 |
| Shut Off Valves | | | |
| 23 | 1/4" F X 1/4" F Pilot Ball Valve | 1 | 50599 |
| | 1", LH SHUT-OFF | 1 | 51703 |
| | 1-1/4", LH SHUT-OFF | 2 | 51704 |